

SS38 Roman Shade System

The SS38 Roman Shade System offer an elegant square profile, housing operating mechanisms designed for efficient and smooth operation.

AESTHETIC FEATURES

- Contemporary slimline aluminum profile
- End covers for a neat overall finish

PRODUCTION & ASSEMBLY FEATURES

- Low profile non obtrusive mounting clips
- Optional spline or hook and loop touch tape fabric attachment
- Effortless installation

FUNCTIONAL BENEFITS

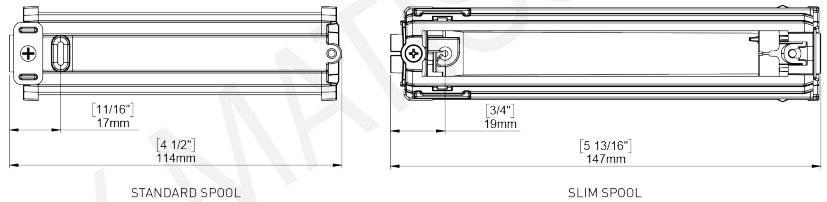
- Smooth and quiet operation
- Guided spool system provides even, level lifting throughout operation
- Straight drop and up to 30 degree angled applications
- ARC protocol allows for smart phone control and IOT integration
- CL 0.8 motor option allows cord spools to be installed at the ends of the head rail, ideal for "unsupported" Roman shades

SPECIFICATIONS

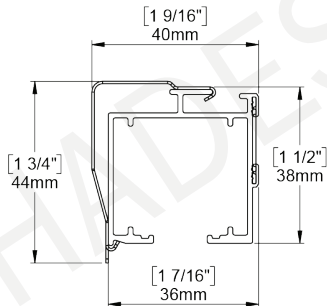
MAX LIFT WEIGHT

	STANDARD	SLIM
0.8 Nm Motor	5.3 kg [11.7 lbs]	7.2 kg [15.9 lbs]
0.6 Nm Motor	3.4 kg [7.5 lbs]	4.6 kg [10.1 lbs]
Direct Chain	1.9 kg [4.2 lbs]	2.7 kg [6.0 lbs]
Planetary Chain	5.9 kg [13.0 lbs]	7.4 kg [16.3 lbs]

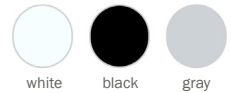
SPOOL OPTIONS



LOW PROFILE MOUNTING CLIP



Hardware Colors



CHAIN OPTIONS

Chainhold



MOTOR OPTIONS

Smart Phone Control



IOT Integration



Sun Sensor



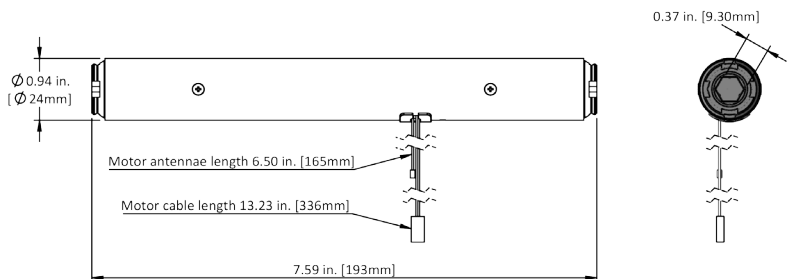
CL 0.8 Cord Lift Motor

Cord lift technology. Low voltage. Dual shaft.

The CL motor can provide continuous power and its simplified wiring solution is directly compatible with roman shading systems

Voltage	12V DC	Limit Switch Type	Electronic
Torque	0.8 Nm	Current	1.18 A
Max Run Time	6 min	Battery Size/Type	External Battery Pack
Speed	33, 39, 50 RPM	Temp Working Range	32°F to 140°F (0°C to 60°C)
Radio Frequency	433.92 MHz	Insulation Class	I,CL,B
RF Modulation	FSK	Sound Level	60dB
IP Rating	IP40	Power	14W

DIMENSIONS



Controllers



Pulse HUB & App



Push 5 remotes