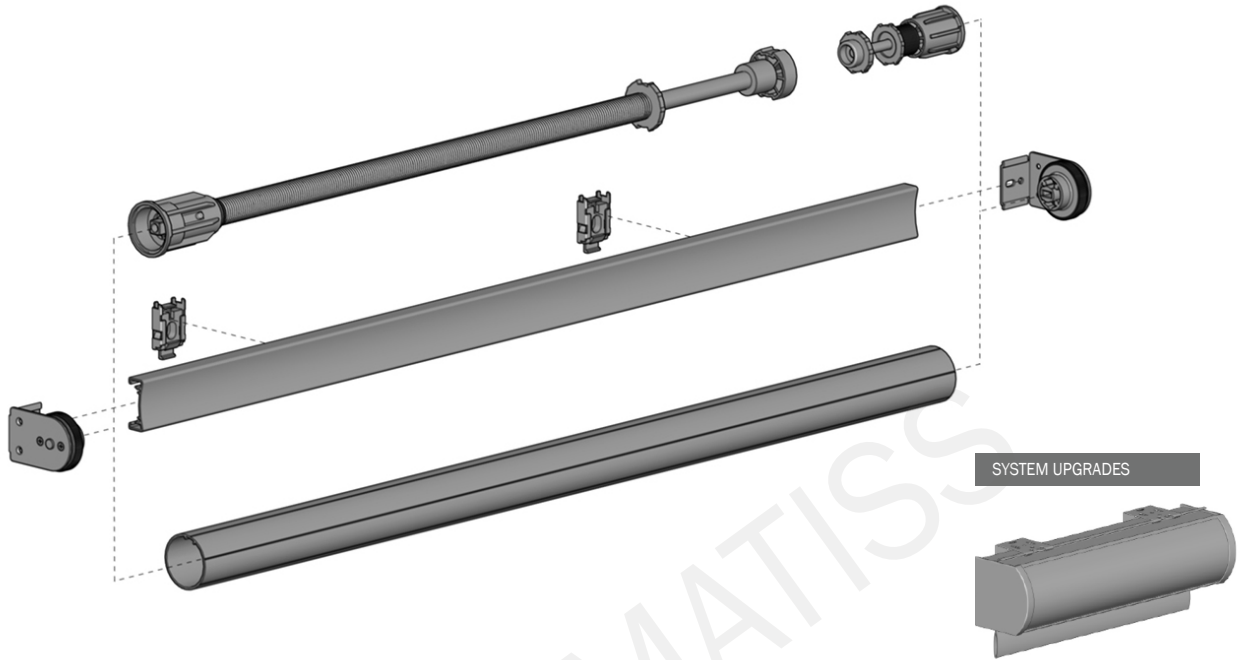


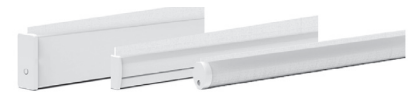
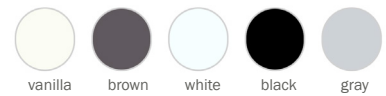
Rollease Acmeda Cordless Spring System / Easy Spring Plus (Optional)

CORDLESS ROLLER SHADE SPECIFICATION



cassette, external hembar, end cap color finishes:
 white, vanilla, gray, brown, black
 Architectural hembar white and gray only
 D30 hembar color: white, gray, black

Hardware Colors



1. Architectural 2. D30 3. Exposed (also used for fabric wrapped)

Easy Spring Plus

Easy Spring Plus cordless spring rollers eliminate concerns about safety and aesthetics often associated with a dangling cord and comply with WCMA/ANSI standards making roller shades safe for both children and pets. The durable construction ensures years and years of reliable performance. Our system is manufactured with just a few parts making it easy to assemble and quick to install, and the tight and secure fit into shade headers prevents shades from popping out of brackets. Easy Spring Plus offers a variety of systems—including options on tube and spring sizes and adjustable wheel brackets—making it the perfect choice for any shade application in homes, offices, planes, yachts, and other recreational vehicles.

Features

- Child and pet safe
- Sleek window shade appearance
- Easy-to-assemble in your fabrication area and quick to install
- Available for shades up to 96" wide
- 5 systems to choose from
- 2 bracket choices
- With side adjuster for minimal light gap
- With adjuster wheel for easy after installation adjustments
- Available in 1 1/2" (38mm) diameters
- 3 spring sizes for each tube size - for very small to very large windows*
- Speed reducer built into spring
- Use with Cassette 100 or Cassette 120 for a clean, polished look



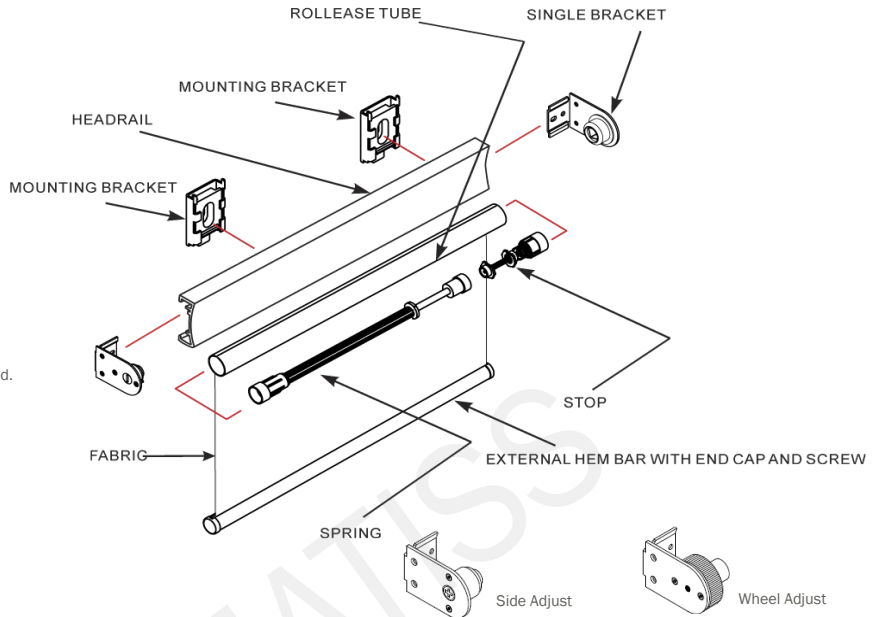
Rollease Acmeda Cordless Spring System / Easy Spring Plus (Optional)

CORDLESS ROLLER SHADE SPECIFICATION

Easy Spring Plus Single shade with Side Adjuster

Wheel adjust system comes standard
 Minimum Width Standard Shade.....18"
 Minimum Width Shade with Cassette 120..... 19"
 Maximum Width Shade.....96"
 Maximum Height.....96"

Standard Factory Deductions
 IB Headrail Width.....less 1/4"
 IB Fabric/Hembar/Tube Width.....less 3/4"
 OB Headrail Width.....less 1/8"
 OB Fabric/Hembar/Tube Width..... less 5/8"
 Brackets come in 2 sizes, depending on the tube diameter that is being used.
 1 1/2" tube uses
 bracket width.....1 1/2"
 projection.....2 3/4"

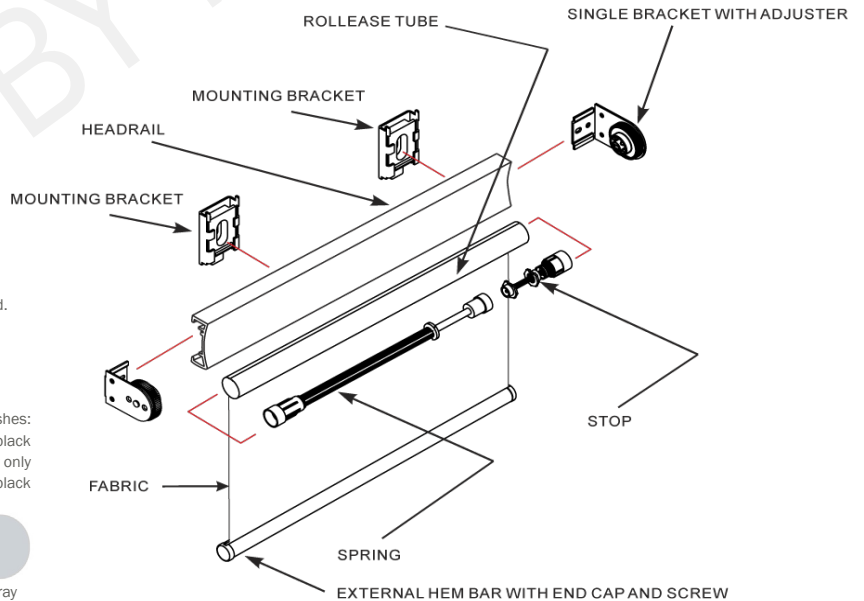
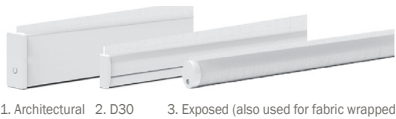
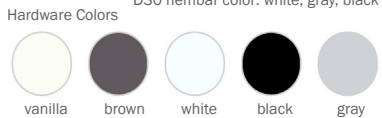


Easy Spring Plus Single shade with Wheel Adjuster

Minimum Width Standard Shade.....18"
 Minimum Width Shade with Cassette 120..... 19"
 Maximum Width Shade.....96"
 Maximum Height.....96"

Standard Factory Deductions
 With wheel adjust for 1 1/2" tube
 IB Headrail Width.....less 1/4"
 IB Fabric/Hembar/Tube Width.....less 1 5/8"
 OB Headrail Width.....less 1/8"
 OB Fabric/Hembar/Tube Width.....less 1 1/2"
 Brackets come in 2 sizes, depending on the tube diameter that is being used.
 1 1/2" tube uses
 Bracket width.....1 1/2"
 Projection.....2 3/4"

external hembar, end cap color finishes:
 white, vanilla, gray, brown, black
 Architectural hembar white and gray only
 D30 hembar color: white, gray, black



Fabric Deduction Chart

Clutch	Inside Mount	Outside Mount	Recommended Tube Size
Easy Spring Plus w/adjustment wheel + 1.5" Tube	-1.625"	-1.5"	1.5"
Easy Spring Plus w/o adjustment wheel + 1.5" Tube	-0.75"	-0.625"	1.5"

HOW TO PRICE

Refer to Roller Shades Fabric Listings page for proper fabric price chart numbers. Base prices are shown on Price Charts 1 to 6. Add Easy Spring Plus Cordless shade surcharge to base price. Add any other desired surcharges. Note! All Base prices are based on ordered dimensions, not finished dimensions of fabric.

