

AUTOMATE | DCRF Q2.0

Part #: MTDCRF28 - 2

Description: DC Tubular motor with RF control.

FEATURES

- Recommended max shade size 120"x120"
- Levelling Control
- Simple limit setting and adjustment
- Favorite position
- 3 operational speed settings available
- 2-way RF communication
- New ARC protocol for simple programming

TECHNOLOGIES



QUIET
OPERATION



ELECTRONIC
LIMIT



LEVELING
CONTROL



FAVORITE
POSITION



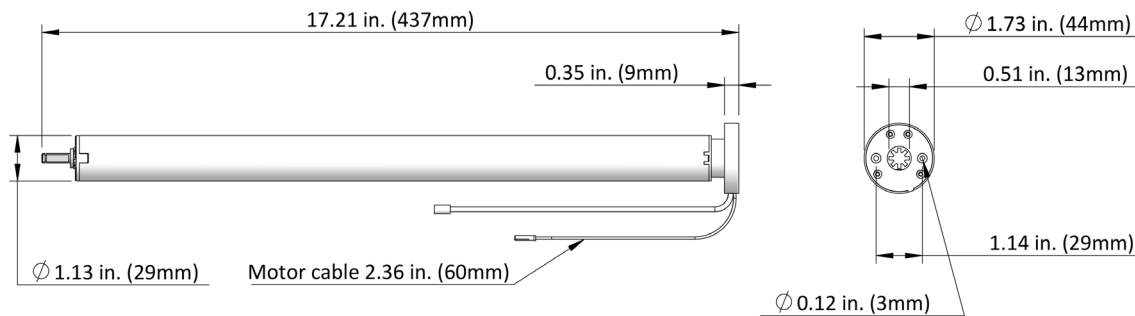
SELECTABLE
RPM



433 MHZ
BI-DIRECTIONAL



DIMENSIONS



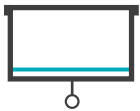
SPECIFICATIONS

| | | | |
|------------------------|---------------------------------|---------------------------|-----------------------------|
| Voltage | 12 | IP Rating | IP44 |
| Torque | 2Nm | Limit Switch Type | Electronic |
| Max Run Time | 10 Min | Amps | 1.25A |
| Speed | 28 RPM (Adjustable to 24 or 20) | Temp Working Range | 32°F to 140°F (0°C to 60°C) |
| Radio Frequency | 433.92 MHz | Insulation Class | III |
| RF Modulation | FSK | Sound Level | ~44DB |

Leading innovator of precision hardware and automated shade solutions.

USA | AUSTRALIA | EUROPE rolleseeacmeda.com

APPLICATIONS



ROLLER SHADE



ROMAN SHADES

COMPATIBLE SYSTEMS

- Skyline
- R Series
- S45 Roller Shades

COMPATIBLE TUBES

- 1-1/2"
- 2" Ribbed
- S45

ACCESSORIES

| | | | |
|-------------------------------|---|-------------------------|--|
| POWER SOLUTIONS | <p>Descr: Power Supply for 28/35/45mm DCRF (No Batt) Mtr Part #: MTDCPS-28-35-45</p> <p>Descr: Rchrgbl Btry Pak- 28mm DCBRF (No Batt) Mtr 2600mAh Part #: MTBPCKR-28</p> | CROWN AND DRIVES | <p>Descr: Crown and Drive Set 28mm motor in 1½" tube Part #: MTCRDR-28-1.5</p> <p>Descr: Crown and Drive Set 28mm motor in 2" tube Part #: MTCRDR-28-2</p> <p>Descr: Crown & Drive Set for 28mm DC motor in S45 Tubes Part # MTCRDR-28-S45</p> |
| EXTENSION CABLES | <p>Descr: DC Motor Cable extender 6"/155mm Part #: MTDC-CBLXT6</p> <p>Descr: DC Motor Cable extender 48"/1220mm Part #: MTDC-CBLXT48</p> <p>Descr: DC Motor Cable extender 96"/2440mm Part #: MTDC-CBLXT96</p> | BRACKET ADAPTERS | <p>Descr: Motor Adapter 25/28/35mm to SKY 6nm Part #: MTAD-252835-SL</p> <p>Descr: Motor Adapter 25/28mm to SKY 12nm v2 White Part #: MTAD-25-28-SLV2W</p> <p>Descr: Motor Adapter 25/28/35mm to R-Series 3nm Part #: MTAD-252835-RS</p> <p>Desc ; M40 H/D Universal Disc Adapter S45 White Part #: RB40-1402-069400</p> |
| REMOTES & SWITCHES | <p>Descr: Paradigm 1CH ARC Remote Part #: MTRF-REM-1</p> <p>Descr: Paradigm 15CH ARC Remote Part #: MTRF-REM-15</p> <p>Descr: RF White 1 Channel Decorator Wall Switch (Cut In) Part #: MTRF-WS-1C</p> <p>Descr: RF White 2 Channel Decorator Wall Switch (Cut In) Part #: MTRF-WS-2C</p> <p>Descr: RF White 15 Channel Decorator Switch (Cut In) Part #: MTRF-WS-15</p> <p>Descr: RF White 5 Channel Decorator Surface Mount Switch Part #: MTRF-WS5-FLUSH</p> | | |
| AUTOMATION DEVICES | <p>Descr: Sun Sensor Part #: MTRF-SUNSENS</p> <p>Descr: 1 Channel Dry Contact Input Module - 433 RF Part #: MTRF-DCIM-1C</p> <p>Descr: ARC "Pulse" Wi-Fi to 433 - 2 way RF Bridge Kit Part #: MTRF-WIFIBRIDGE-KIT</p> | | |