

# EASY SPRING ULTRA SKYLINE PRODUCT SPECIFICATIONS



October 2019



[www.shadesbymatiss.com](http://www.shadesbymatiss.com) | T. 800 493 2040 | email: [info@shadesbymatiss.com](mailto:info@shadesbymatiss.com)



# CONTENTS

October 2019

SECTION NO.	DESCRIPTION	PAGE NO.
<b>SECTION 1 – OVERVIEW</b>		<b>1.1</b>
	PART A – GENERAL SCHEMATIC	1.1
	PART B – SHADE OPERATION	1.2
	PART C – SYSTEM OPTIONS	1.3
<b>SECTION 2 – SYSTEM SPECIFICATIONS</b>		<b>2.1</b>
	PART A – LIFTING CAPACITY	2.1
	PART B – SYSTEM CAPACITY	2.1
	PART C – SPRING CAPACITY	2.2
<b>SECTION 3 – TEST SUMMARY</b>		<b>3.3</b>
<b>SECTION 4 – MATERIAL SPECIFICATIONS</b>		<b>4.1</b>
<b>SECTION 5 – WARRANTY</b>		<b>5.1</b>
<b>SECTION 6 – SPECIFICATION IMAGES</b>		<b>6.1</b>
	PART A – DEDUCTIONS	6.1
	PART B – ROLL DETAILS	6.2

## DISCLAIMER

### INTRODUCTION

This product specifications manual has been produced by Rollease Acmeda to supply the necessary information for safe and correct assembly and installation of this system.

### DISCLAIMER

Rollease Acmeda has used reasonable care in preparing the information included in this document, but makes no representations or warranties as to the completeness or accuracy of the information. Information is supplied upon the condition that the persons receiving the information will make their own determination as to its suitability for their purposes prior to use. Rollease Acmeda assumes no liability whatsoever for any damages incurred by you resulting from errors in or omissions from the information included herein. Rollease Acmeda reserves the right to make changes without further notice to any products to improve reliability, function or design.

### COPYRIGHT

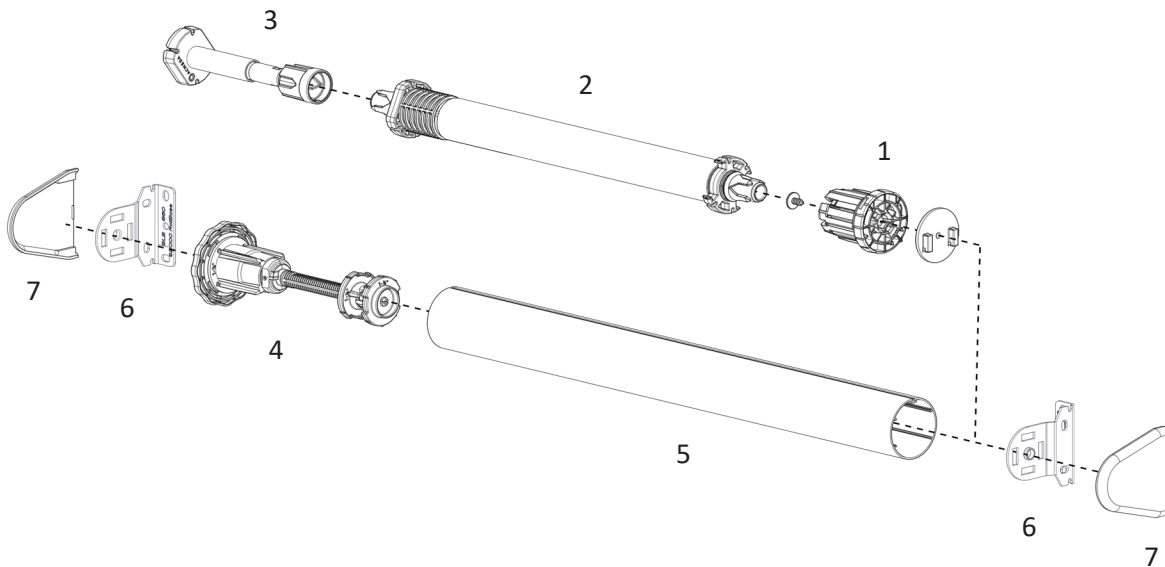
COPYRIGHT © ROLLEASE ACMEDA

All rights reserved. No part of this document may be reproduced or utilized in any means, by any means, electronic or mechanical including photocopying, recordings, or by any information storage or retrieval system, without the express permission from Rollease Acmeda.



PART A – GENERAL SCHEMATIC

Our innovative Easy Spring Ultra Skyline roller system, offers a premium aesthetically pleasing and technologically advanced solution. Controlling the shades by independent spring mechanism, raising and lowering shades to your preferred location, with one simple touch.



Note: This configuration is primarily shown throughout manuals; Left-handed, Back Roll  
The side of the spring control determines what handed blind it is. Narrow booster is always a left-hand control.

SYSTEM INDEX

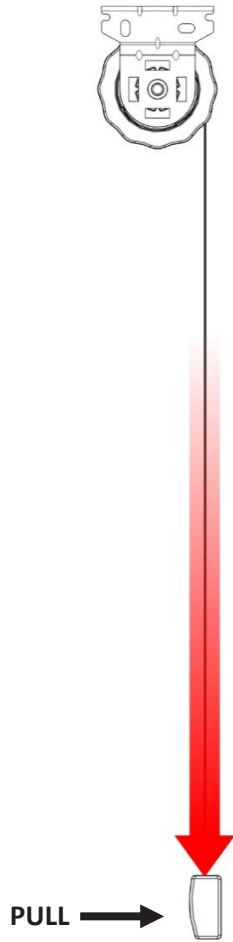
1. ESU Chain Free Control with Skyline Adapter
2. Booster Universal
3. Booster Decelerator
4. Limiter - Single Stop
5. Aluminium Tube
6. Mounting Brackets
7. Bracket Covers



**PART B – SHADE OPERATION**

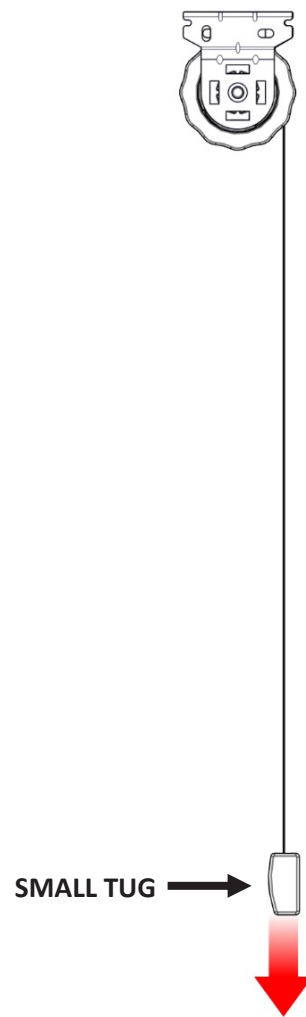
**DOWN:**

**PULL** Bottom Rail



**UP:**

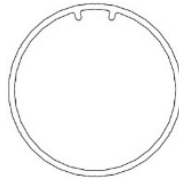
**TUG** Bottom Rail  
(Shade will automatically rise)



**PART C – SYSTEM OPTIONS**

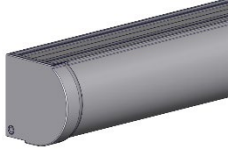
**TUBE OPTIONS**

1.5"

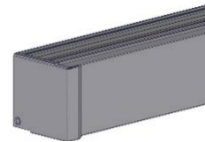


**LX BRACKET ADD ONS**

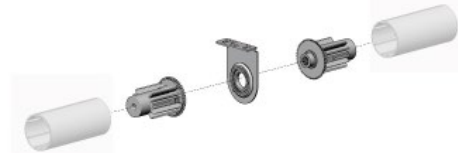
CF90 CASSETTE FASCIA SUITE (INCLUDING EDGE)



MOUNTING RAIL

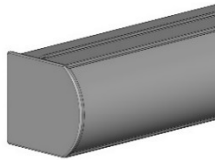


EASY LINK



**1.5" BRACKET ADD ONS**

ROUND CASSETTE



NOTE: CASSETTE 100/120 BRACKETS REQUIRED

LINK SYSTEMS

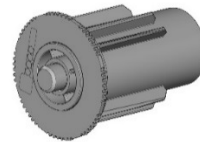


**SYSTEM OPTIONS**

IDLER PIN



RB09 IDLER



**COLOR RANGE**



pure white  
069



## SECTION 2 – SYSTEM SPECIFICATIONS

### PART A – LIFTING CAPACITY



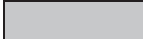
TUBE	BOOSTER			
	SHORT 0.46 Nm 0.34 ft. Lbs	LIGHT 0.60 Nm 0.44 ft. Lbs	STANDARD 1.09 Nm 0.80 ft. Lbs	HEAVY DUTY 1.77 Nm 1.30 ft. Lbs
1 ½ INCH	1.7 kg (3.70 lbs)	2.4 kg (5.24 lbs)	4.8 kg (10.69 lbs)	NA

### PART B – SYSTEM CAPACITY

#### D30 Medium Weight Bar (No Ballast) | 420 GSM (12.39 oz/yd<sup>2</sup>) | Thickness 0.55mm (0.022")

DROP		WIDTH																ft		
		2	3	4	5	6	7	8	9	10	11	12	13	4.0						
ft	m	0.6	0.8	1.0	1.2	1.4	1.6	1.8	2.0	2.2	2.4	2.6	2.8	3.0	3.2	3.4	3.6	3.8	4.0	m
2	0.5																			
	0.6																			
	0.7																			
	0.8																			
3	0.9																			
	1.0																			
	1.1																			
4	1.2																			
	1.3																			
	1.4																			
	1.5																			
5	1.6																			
	1.7																			
	1.8																			
	1.9																			
6	2.0																			
	2.1																			
	2.2																			
	2.3																			
7	2.4																			
	2.5																			
8	2.6																			
	2.7																			

Note: The minimum blind width is 660mm (26")

LEGEND	DESCRIPTION
	1.5" (38mm)
	1.5" (38mm) STD + Easy Link
	Cannot be achieved - outside product specifications

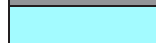

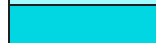




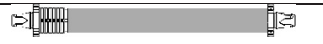
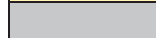


**PART C – SPRING CAPACITY**

**1.5" (38mm) TUBE – D30 Medium Weight Bar (No Ballast)  
420 GSM (12.39 oz/yd<sup>2</sup>) | Thickness 0.55mm (0.022")**

DROP		WIDTH																	ft		
		2	3	4	5	6	7	8	9	10	11	12	13	4.0							
ft	m	0.6	0.8	1.0	1.2	1.4	1.6	1.8	2.0	2.2	2.4	2.6	2.8	3.0	3.2	3.4	3.6	3.8	4.0	m	
2	0.5		11	14	15	16	17	18	18	19	11	12	12	13	13	14	14	15			Open Blind
	0.6		11	14	15	16	17	18	19	20	11	12	12	13	13	14	14	15			
	0.7		11	14	15	16	17	18	19	20	11	12	13	13	14	14	15	15			
	0.8		11	14	15	16	17	18	19	20	11	12	13	13	14	14	15	15			
3	0.9		11	14	15	17	18	19	20	11	12	13	13	14	14	15	15				
	1.0		11	14	15	17	18	19	20	11	12	13	13	14	14	15	16				
	1.1		11	15	15	17	18	19	20	11	12	13	14	14	15	15	16				
4	1.2		11	15	16	17	18	19	20	11	13	13	14	14	15	16	16				
	1.3		11	15	16	18	19	20	21	11	13	13	14	15	15	16	17				
	1.4		12	15	17	18	19	20	21	13	13	14	14	15	16	16					
5	1.5		12	15	17	18	19	20	22	13	13	14	15	15	16	17					
	1.6		12	16	17	18	19	21	22	13	14	14	15	16	16	17					
	1.7		12	16	17	19	20	21	22	13	14	15	15	16	17	17					
6	1.8		12	16	18	19	20	21	23	13	14	15	16	16	17	18					
	1.9		12	17	18	19	20	22	13	14	14	15	16	17	17	18					
	2.0		12	17	18	19	21	22	13	14	15	15	16	17	18						
7	2.1			17	18	20	21	23	13	14	15	16	17	17	18						
	2.2			17	19	20	21	23	14	14	15	16	17	18	18						
	2.3			17	19	20	22	23	14	15	16	16	17	18	19						
8	2.4			18	19	21	22	24	14	15	16	17	18	18	19						

Note: The minimum blind width is 660mm (26")

LEGEND	DESCRIPTION	COLOR
	RB12 Universal Booster - Short	
	RB12 Universal Booster - Light	
	RB12 Universal Booster - Standard	
	RB12 Universal Booster - Standard with Easy Link	
	Cannot be achieved - outside product specifications	

NOTE: The above charts are indicative only. Due to variances in fabric weights, weight bar weights, addition of ballast and friction the optimum number of pre-turns will vary shade to shade. For more accurate information please refer to the pre-rotation document.



## SECTION 3 – TEST SUMMARY

### TEST – CYCLE

<b>TEST DESCRIPTION:</b>	<b>BOOSTER UNIVERSAL</b>	<b>TEST REPORT NUMBER:</b>	TR-2015028
<b>CONTROL:</b>	Spring	<b>TORQUE:</b>	SHORT 0.46 Nm (0.34 ft. Lbs) LIGHT 0.60 Nm (0.44 ft. Lbs) STD 1.09 Nm (0.80 ft. Lbs) HD 1.77 Nm (1.30 ft. Lbs)
<b>CYCLES PASSED:</b>	6,000		

<b>TEST DESCRIPTION:</b>	<b>PRETENSION</b>	<b>TEST REPORT NUMBER:</b>	TR-2015011
<b>CONTROL:</b>	Spring	<b>Pretension adjustment:</b>	Every 1,000 cycles
<b>CYCLES PASSED:</b>	10,000	<b>TORQUE:</b>	2.4 Nm (1.77 ft. Lbs)

<b>TEST DESCRIPTION:</b>	<b>POSITION STOP</b>	<b>TEST REPORT NUMBER:</b>	TR-2015016
<b>CONTROL:</b>	NA	<b>Stop positions:</b>	6
<b>CYCLES PASSED:</b>	10,000	<b>TORQUE:</b>	1.5 Nm (1.1 ft. Lbs)

<b>TEST DESCRIPTION:</b>	<b>UNIVERSAL LIMITER</b>	<b>TEST REPORT NUMBER:</b>	TR-2017003
<b>CONTROL:</b>	LH Top Stop	<b>TORQUE:</b>	2.8 Nm (2.1 ft. Lbs)
<b>CYCLES PASSED:</b>	7,000		

<b>TEST DESCRIPTION:</b>	<b>UNIVERSAL LIMITER</b>	<b>TEST REPORT NUMBER:</b>	TR-2017003
<b>CONTROL:</b>	RH Top Stop	<b>TORQUE:</b>	2.8 Nm (2.1 ft. Lbs)
<b>CYCLES PASSED:</b>	7,000		





## SECTION 4 – MATERIAL SPECIFICATIONS

PART NUMBER	PRODUCT	MATERIAL	METAL FINISHES
RB12-450X-XXXXXX	BOOSTER UNIVERSAL	ABS/PC, POM, NYLON, SPRING STEEL, MILD STEEL	
RB12-2503-XXX140	SINGLE STOP LIMITER LX BRACKET SET	MILD STEEL	
RB12-6000-XXXXXX	LIMITER – SINGLE STOP   UNIVERSAL	NYLON GF, POM, SPRING STEEL, MILD STEEL	
RB92-0404-311215	T-SPLINE - SLIDE-ON	PVC	
HD31-0401-001XXX	MULTI-PURPOSE DOUBLE SIDED TAPE	-	
RB12-3240-069038	ESU CHAIN FREE CONTROL WITH SKYLINE ADAPTER	PA, ABS/PC, STEEL	
RB88-2092-XXX001	SLIMLINE SPRING CLIP BRACKET	SPRING STEEL	
HD82-1904-025010	SELF TAPPING SCREWS   PHILIPS COUNTER SUNK HEAD	ALLOY STEEL	
RB12-2501-XXX138	SINGLE STOP LIMITER 1.5" BRACKET SET	MILD STEEL	
RB12-2502-XXX138	BRACKET SINGLE STOP LIMITER 1.5" CASSETTE BRACKET SET	MILD STEEL	
SLBCW	STANDARD BRACKET COVER 1.5" XX	ABS	
RTEA-4T05-XXX580/RTEA-4TXX	1.5" TUBE + M/P TAPE	ALUMINUM	
SLPEV653W	SKYLINE PIN END   1.5"	SPRING STEEL, NYLON, HIPS	
SLPEHD53W	SKYLINE PIN END   HEAVY DUTY 1.5"	NYLON GF, SPRING STEEL	



## SECTION 5 – WARRANTY

Rollease Acmeda provides a 5 year hardware warranty against defects to the original purchaser (the fabricator/manufacturer).

The hardware warranty is not to be transferred to the end consumer.

The hardware warranty is limited to the repair or resupply of defective hardware components to the fabricator/manufacturer only.

The hardware warranty is applicable to normal use.

The hardware warranty will not apply where the defect arises due to incorrect assembly and installation.

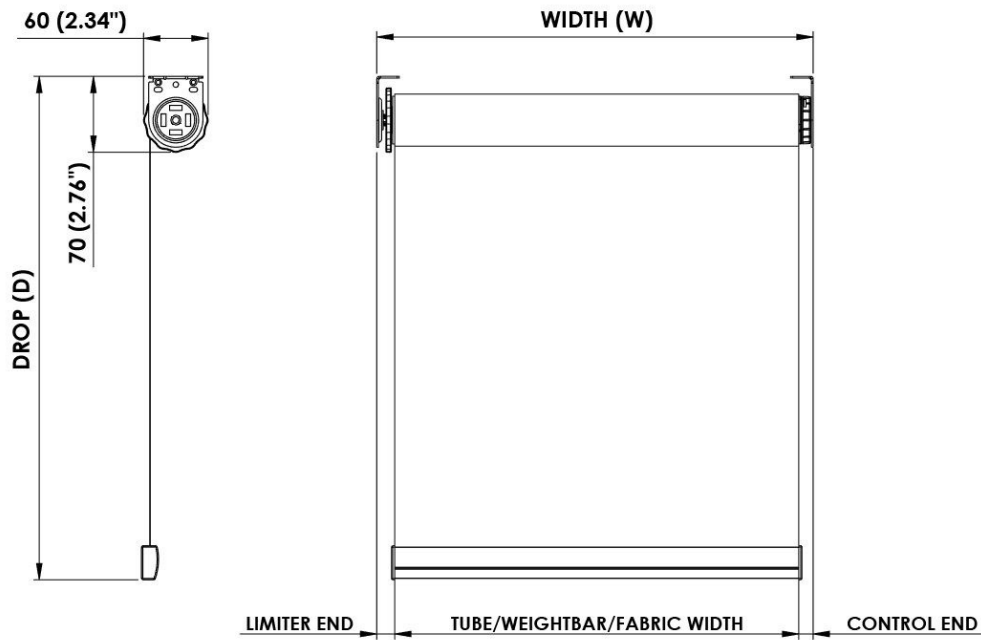
Retailers are obliged to supply consumers with their own warranty, if required, at the point of purchase.



## SECTION 6 – SPECIFICATION IMAGES

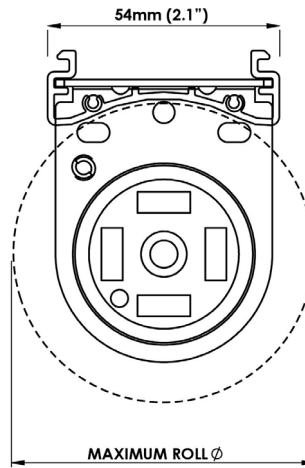
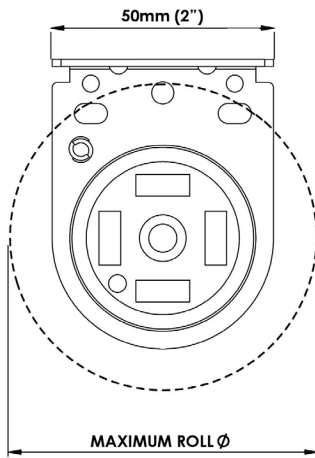
Please contact Rollease Acmeda: [marketing@rolleaseacmeda.com](mailto:marketing@rolleaseacmeda.com) to request electronic copies of the file listed below.

### PART A – DEDUCTIONS

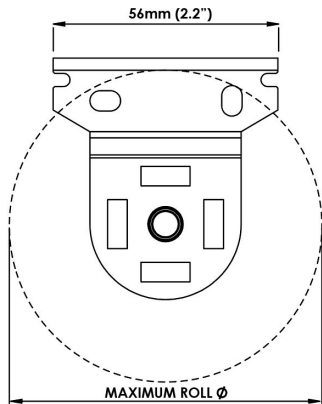


CONTROL TYPE	CONTROL END		LIMITER END	
	With Covers	WithOUT Covers	With Covers	WithOUT Covers
VX/LX	17.5mm (0.69")	16.5mm (0.65")	19mm (0.75")	18mm (0.71")
Skyline	20.5mm (0.81")	18.5mm (0.73")	20mm (0.79")	
CF 90 Cassette		-	22mm (0.87")	-
Cassette 100/120	17.5mm (0.69")	15.5mm (0.61")	21mm (0.83")	18mm (0.71")

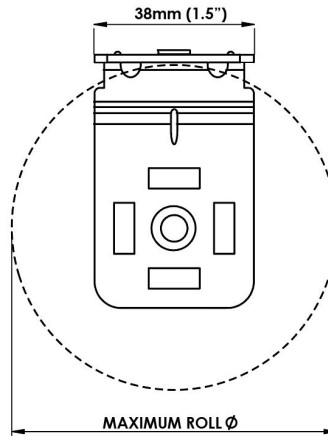




MAXIMUM ROLL SIZE CHART			
SL01-0306-xxx040	Skyline LX Bracket withOUT Mounting Rail	78mm	3.07"
	Skyline LX Bracket with Mounting Rail	72mm	2.84"



Open Bracket



Cassette Bracket

MAXIMUM ROLL SIZE CHART			
RB12-2501-xxx138	1.5" Open Brackets	78mm	3.07"
RB12-2502-xxx138	1.5" Cassette Brackets	78mm	3.07"

For Cassette 100, Maximum roll size is 63.5mm (2.50")

For Cassette 120, Maximum roll size is 72.9mm (2.87")

