

# AUTOMATE™

## Solar Powered Wind & Sun Sensor

Measures wind and light intensity to automatically open once sunlight is detected to provide convenient shading and close in windy conditions to protect and preserve.



### WIND & LIGHT MEASUREMENTS

Features an anemometer to measure wind speed and a lux meter to measure light intensity and perform an automated action.



### POWER STORAGE CAPACITOR

Equis alibus, quatur mos et etur, andus. Um, to demodit vellaboresti ut utEque simolor recus se sitium que



### LCD DISPLAY

Integrated LCD displaying signal strength, wind speed and lux values. Switches to off mode for energy saving.



### ARC COMPATIBILITY

Compatible with all ARC external motors.



### MICRO USB PORT

Quickly and conveniently charge the sensor with any micro USB cable charger.



### UNIVERSAL MOUNT

Can be mounted to the roof, wall, eave or fascia, to suit your requirements.



**7**  
YEAR  
WARRANTY



ARC™ (Automate Radio Communication) is Rollease Acmeda's proprietary technology utilizing 433MHz radio communication with bi-directional feedback that brings Automate motorized shading systems together.

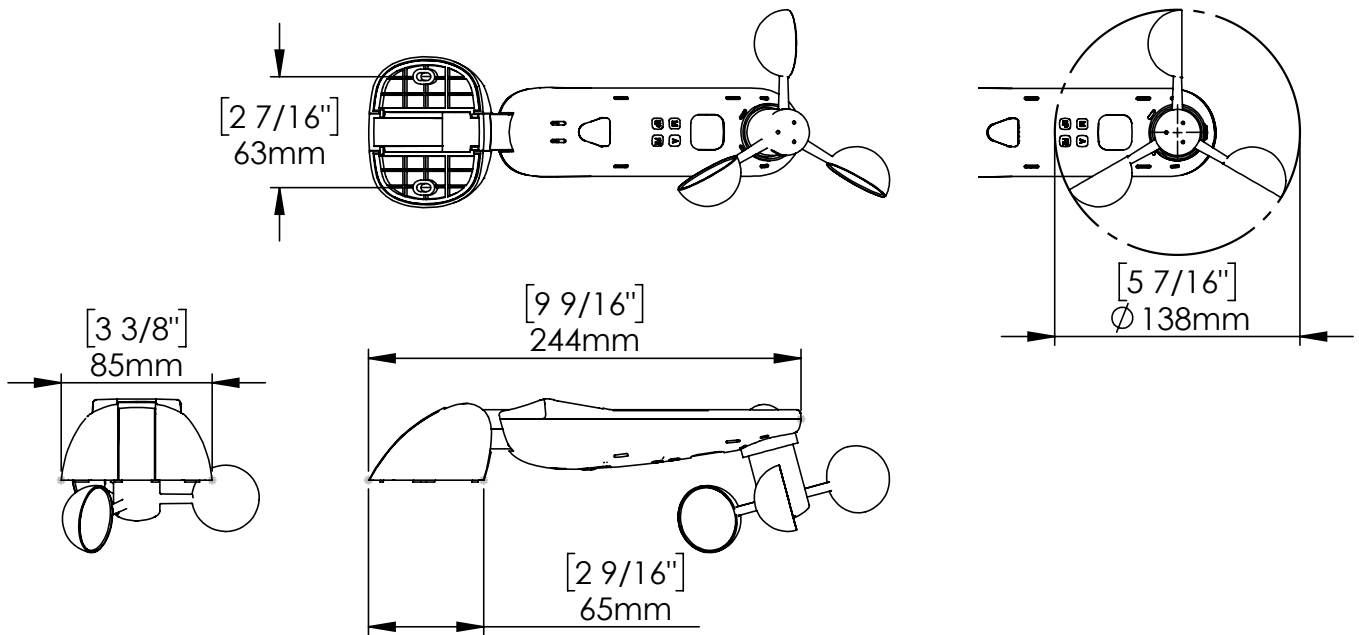
A DIVISION OF  
**ROLLEASE  
ACMEDA**

# PRODUCT SPECIFICATIONS

Part #: MT02-0301-072001 Automate Solar Powered Wind & Sun Sensor

<b>Modulation</b>	FSK	<b>Super Capacitor</b>	5F
<b>Light Intensity Range</b>	0 - 100 kLux	<b>Charging Current</b>	67 mA by solar energy; 250 mA by USB
<b>Frequency</b>	433.92 MHz	<b>Transmitting power</b>	<8dBm
<b>Wind Speed Range</b>	0 - 112 mph (0 - 180 km/h)	<b>Standby electric current consumption</b>	10 uA
<b>Transmission Distance</b>	115 ft (35 m) Indoor	<b>Ambient operating temperature</b>	-4 °F - 140 °F
	656 ft (200 m) Open Space		-20 °C - +60 °C
<b>Ingress protection</b>	IP54		

## DIMENSIONS



## COMPATIBLE SYSTEMS

- Zipscreen
- Veue Drop Awnings
- Piuma (AU)
- Klip (AU)
- Stein (AU)
- Kumo (AU)
- Shan (AU)
- Ilios - Wire & Pivot Arm (AU)

## COMPATIBLE MOTORS

